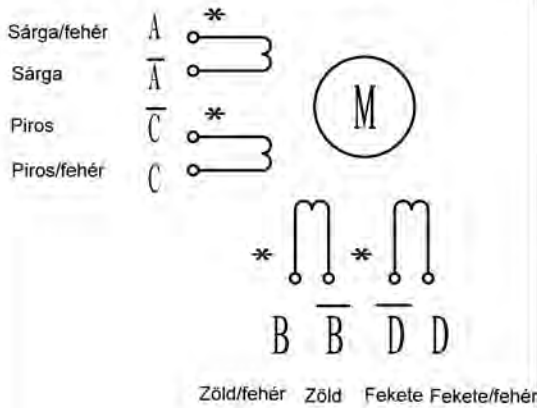


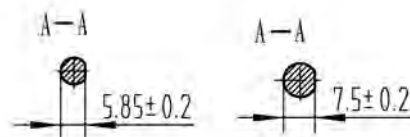
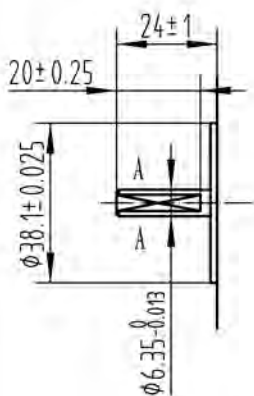
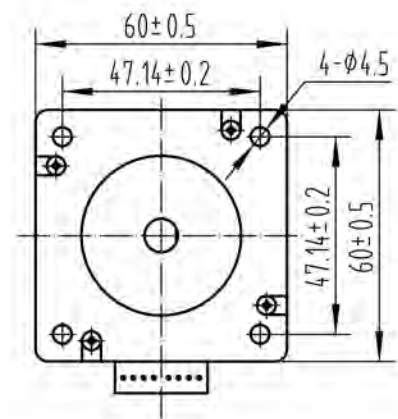
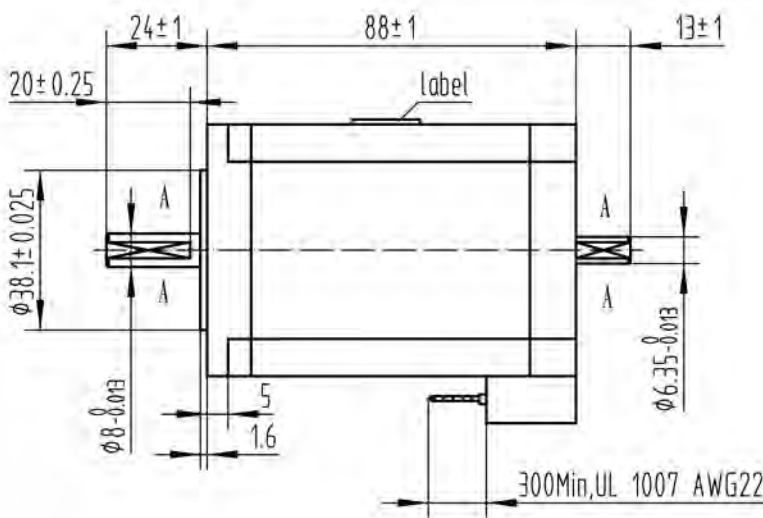
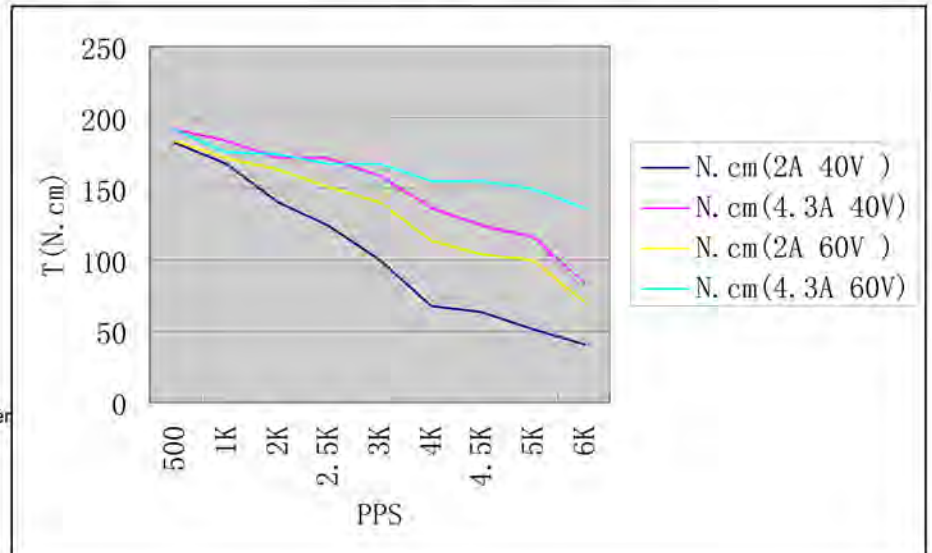
Part No	Connection Type	Phase	Degree	Voltage V	Current A	Resistance Ohm	Inductance mH	Motor Torque Nm	Motor Speed r.p.m	Weight Kg
23SH086-040-8W-F8-F6.35-3.1	Unipolar	4	1.8	3.9	3	1.3	3.2	2.15	840	1.4
	Bipolar(S)	2		5.46	2.1	2.6	12.8	3		
	Bipolar(P)	2		2.73	4.2	0.65	3.2	3		

## Colour Codes:



\* start of the coil

## Torque Curves



23SH086-040-8W-F8-F6.35-3.1

REV	REVISIONS	DESCRIPTION	BY	DATE

www.klavio.hu