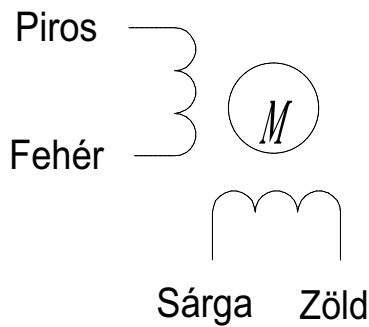


HIGH TORQUE HYBRID STEPPING MOTOR SPECIFICATIONS

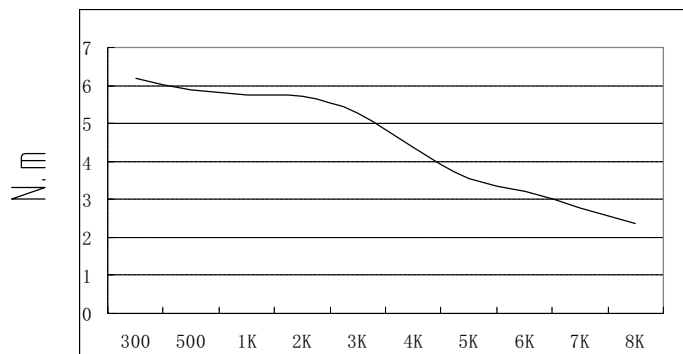
General specifications		Electrical specifications	
Step Angle (°)	1.8	Rated Voltage (V)	3.6
Temperature Rise (°C)	80 Max (rated current, 2 phase on)	Rated Current (A)	6.0
Ambient Temperature (°C)	-20~+50	Resistance Per Phase ($\pm 10\%$ Ω)	0.6
Number of Phase	2	Inductance Per Phase ($\pm 20\%$ mH)	6.5
Insulation Resistance (M Ω)	100 Min (500VDC)	Holding Torque (N.cm)	870
Insulation Class	Class B		
Max.radial force (N)	220 (20mm from the flange)		
Max.axial force (N)	80		

● Wiring Diagram :



● Pull out torque curve :

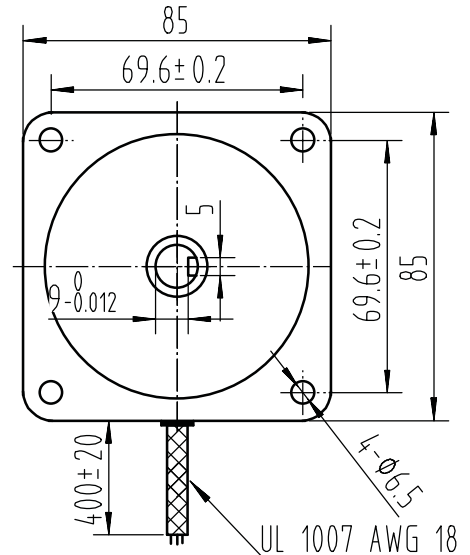
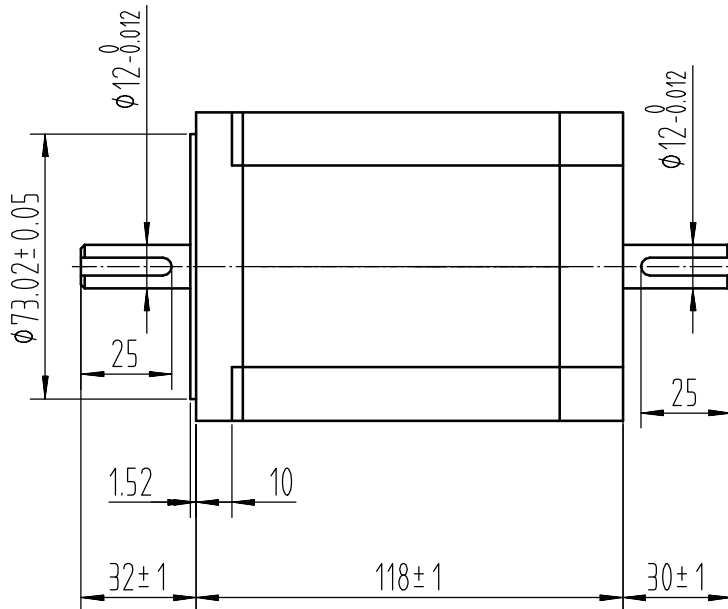
VOLTAGE: 110VAC, CONSTANT CURRENT: 6A, WZM-2H110MS HALF STEP



PPS

● Dimensions:

(unit=mm)



REV	REVISIONS	DESCRIPTION	BY	DATE	34SM118-060-4W-SB12.SB12-8.7
DRAW					
CHECK					
APPROVE					