

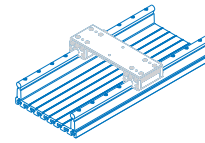
Linear guide

LFS-16-150



Figure:
Linear guide rail and 4 linear guide slide with slot plate

Linear guide rail LS-16-150



- 2 precision steel shafts Ø 16 mm
- Aluminium profile rail with T-groove inserts, raster 25 mm, anodised
- exact, shaft housing outline milled in a clamping fixture
- Conditionally freeloading
- Standard length 3 m, any number of segments
- Weight: 13.9 kg/m

Part no.: **220030 0099** (Length 1 m)
220030 0199 (Length 2 m)
220030 0299 (Length 3 m)

Option:

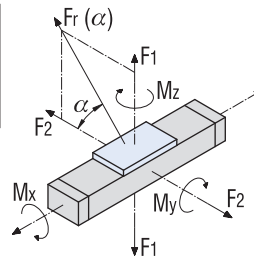
- Other lengths (longer or shorter)

Loading data

Linear guide LFS-16-150 2 steel slide		Linear guide LFS-16-150 4 steel slide	
C ₀	7598 N	C ₀	10130 N
C	4857 N	C	6476 N
F ₁ stat.	6488 N	F ₁ stat.	8650 N
F ₁ dyn.	4148 N	F ₁ dyn.	5530 N
F ₂ stat.	7598 N	F ₂ stat.	10130 N
F ₂ dyn.	4857 N	F ₂ dyn.	6476 N
M _x stat.	486.6 Nm	M _x stat.	648.8 Nm
M _y stat.	194.6 Nm	M _y stat.	475.8 Nm
M _z stat.	227.9 Nm	M _z stat.	557.2 Nm
M _x dyn.	311.1 Nm	M _x dyn.	414.8 Nm
M _y dyn.	124.4 Nm	M _y dyn.	304.2 Nm
M _z dyn.	145.7 Nm	M _z dyn.	356.2 Nm

$$Fr(\alpha) = \frac{F_2}{\cos \alpha}$$

$$Fr(\alpha) = \frac{F_1}{\sin \alpha}$$



Steel slide ILS 1



- Steel slide
L 94 × W 58 × H 33.7 mm
- 4 recirculating balls, adjustable for no play
- Grease nipple on front
- Weight: 0.7 kg

Part no.: **223210**

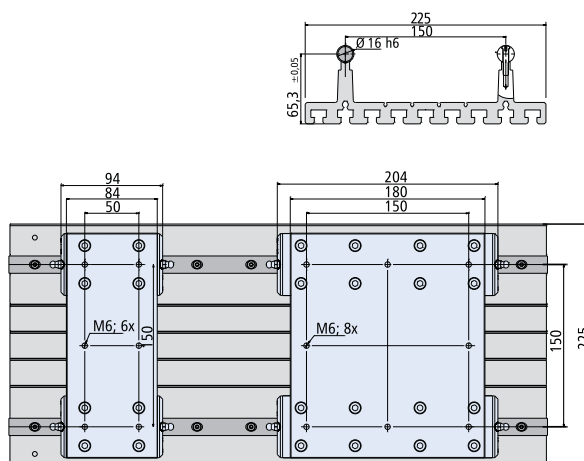
Aluminium slide IWS 1

- L 94 × W 55 × H 33.5 mm
- Clamping surface plane milled
- Weight: 0.32 kg
- Option: stainless steel design

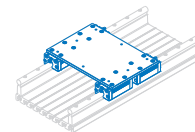
Part no.: **223220**

Stainless steel: **223220 0001**

Dimensioned drawing



Aluminium slide IWS 1 with slot plate



- 2 or 4 linear guide slides
- Slot plate (ground steel)
- Adjustable for no play
- Weight: 2.5 kg or 5.1 kg

Part no.: **223240 0036** (2 slides)
223240 0037 (4 slides)