

DM442-IO-24 2-phase Speed Control Stepper Drive

20-40VDC, 0.5-4.2A peak current, Auto-configuration, Low Noise

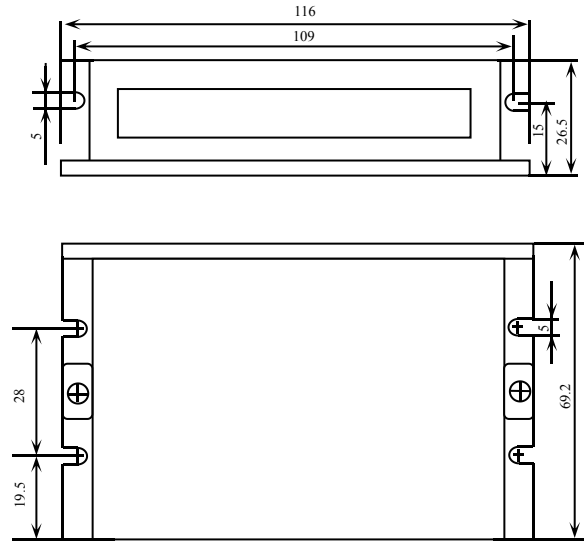
Features

- External I/O signal control mode, with 24VDC
- DIP switch setting drive's output current and motor speed
- PUL+ and PUL- signals indicate Start and Stop
- DIR+ and DIR- signals indicate motor running direction
- Auto-tuning
- Matched with NEMA 17, 23, 24 stepper motors

Power Supply Connection

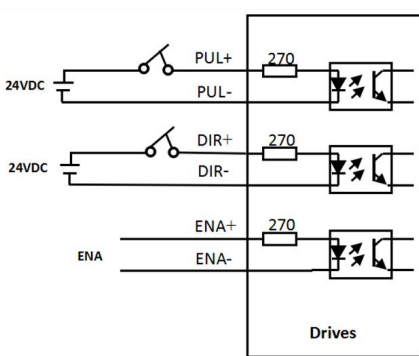
- Rang 20-40VDC, recommend 24-36VDC power supply, higher power voltage brings better performance at high speed.
- Pay attention to polarity of power, otherwise, the drive will burn out.

DM442-IO-24 Size (unit: mm)

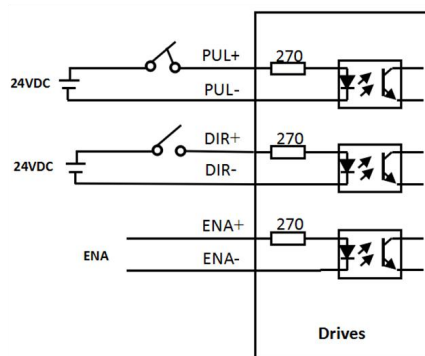


I/O Signals Connection

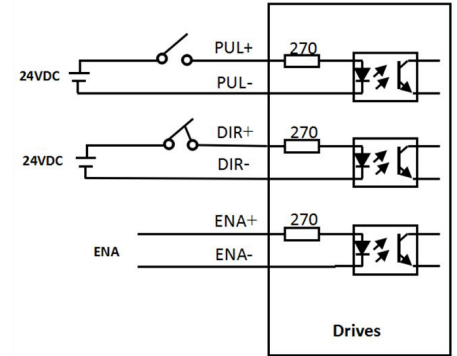
- The I/O signals connections are as below, PUL signals indicate Start/Stop function, DIR signals indicate motor running direction, ENA signals indicate lock the motor shaft (no need to be connected by default)
- Control signals voltage is 24VDC.



Start motion & CW direction



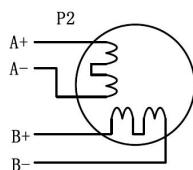
Start motion & CCW direction



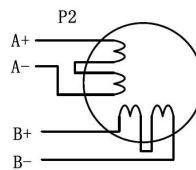
Stop motion

Motor Connection

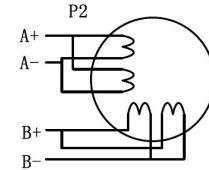
- DM442-IO-24 can match with Leadshine 2-phase stepper motor, size include NEMA14, 23, 24
- The motor connections are shown as below



4-lead Motor Connections



8-lead motor series connections



8-lead motor parallel connections

DIP Switch Setting

- DM442-IO-24 has 8-bit DIP switches, functions as below:

