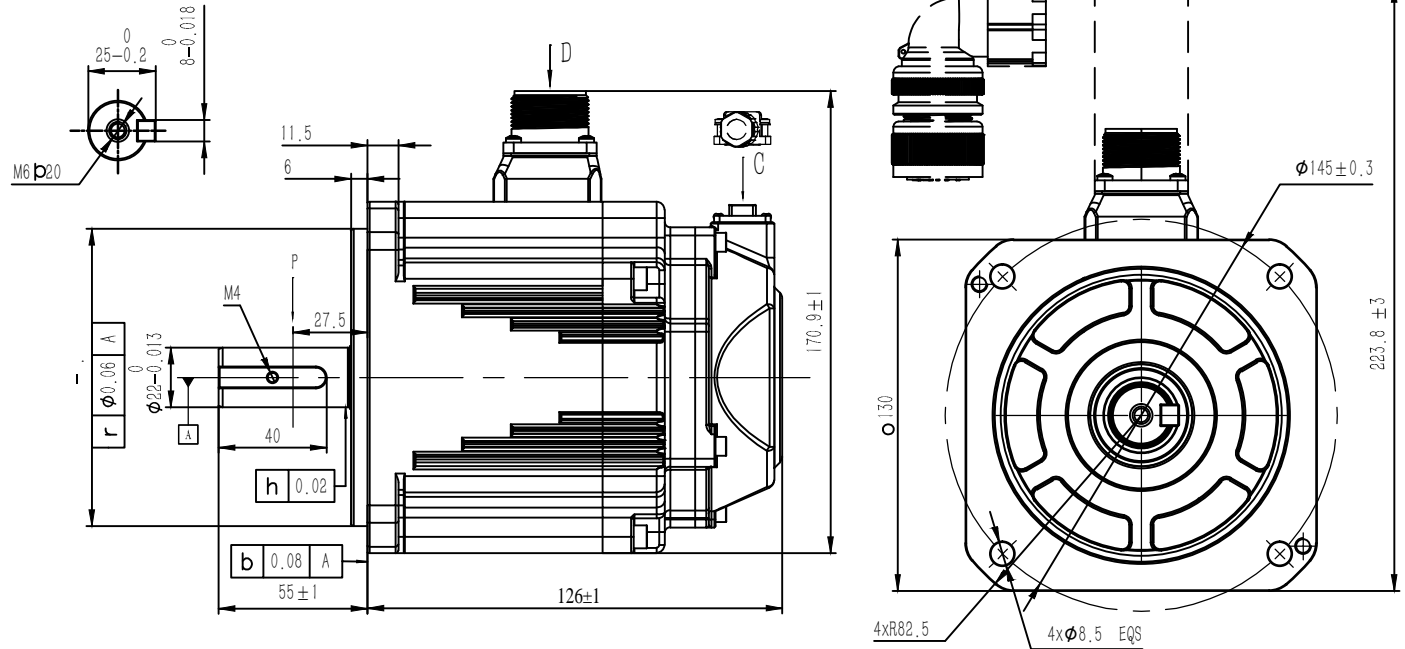
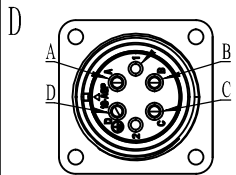
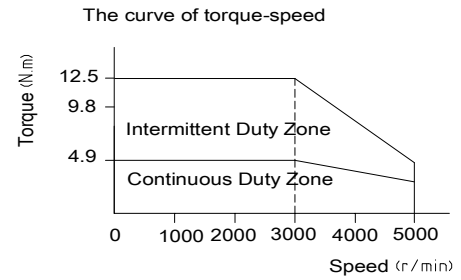


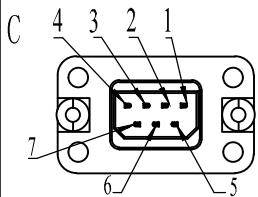
|  |                       |
|--|-----------------------|
| Rated Voltage (Vac)                            | <b>220</b>            |
| Rated Power (w)                                | <b>1500</b>           |
| Rated Torque (N.m)                             | <b>4.9</b>            |
| Peak Torque (N.m)                              | <b>12.5</b>           |
| Rated Speed (rpm)                              | <b>3000</b>           |
| Peak Speed (rpm)                               | <b>5000</b>           |
| Rated Current (Amp)                            | <b>6.8</b>            |
| Peak Current (Amp)                             | <b>17.1</b>           |
| Torque Const (N.m/Amp)                         | <b>0.72</b>           |
| Inertia (kg*m <sup>2</sup> *10 <sup>-4</sup> ) | <b>12.5</b>           |
| Poles  | <b>10</b>             |
| Encoder type                                   | <b>23bit magnetic</b> |
| IP rating                                      | <b>IP65</b>           |
| Mass (Kg)                                      | <b>5.6</b>            |



|                        |   |
|------------------------|---|
| Power Cable (no brake) | CABLE-RZH***-135-TS   |
| Encoder Cable          | CABLE-BMH***-114-TS (For Inc)<br>CABLE-BMAH***-124-TS (For Abs) |



| Assignment of power connector |   |   |   |    |
|-------------------------------|---|---|---|----|
| <b>Pos</b>                    | A | B | C | D  |
| <b>Signal</b>                 | U | V | W | PE |



| Assignment of encoder connector |    |    |    |     |     |      |      |
|---------------------------------|----|----|----|-----|-----|------|------|
| <b>Pos</b>                      | 1  | 2  | 3  | 4   | 5   | 6    | 7    |
| <b>Signal</b>                   | PE | 5V | 0V | SD+ | SD- | BAT+ | BAT- |

Leadshine Technology Co .Ltd

**ELM1M-1500MA130F-H**

130mm, medium inertia, 1500w, no brake  
23bit multi-turns magnetic encoder