



## **Datasheet of 2 Phase NEMA23 Easy Servo Motor**



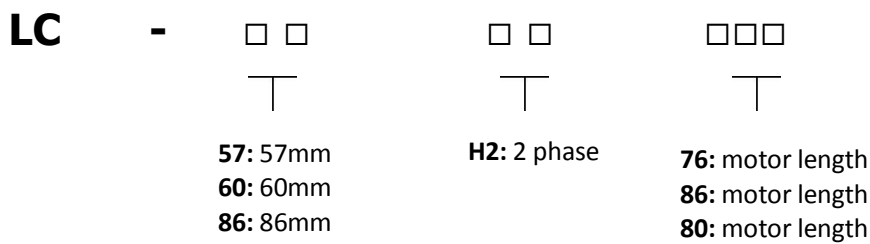
**2 Phase Closed Loop Stepper Motors**

**2~3Nm / NEMA23**

## Descriptions

Lichuan's NEMA23 series easy servo motors, are also called 2 phase NEMA23 closed loop stepper motors. They are designed to match with Lichuan's 2 phase easy servo drivers including the LCDA257S, LCDA86H and LCDA86. They are available from 2Nm to 3Nm. 1000-line optical incremental encoders are used on those easy servo motors to improve the machine accuracy. They all have good function characteristics such as encoder feedback, high speed, high precision and so on.

## Naming Rules



### » 2 Phase 57 (NEMA23) Easy Servo Motor Series

#### General Specifications---

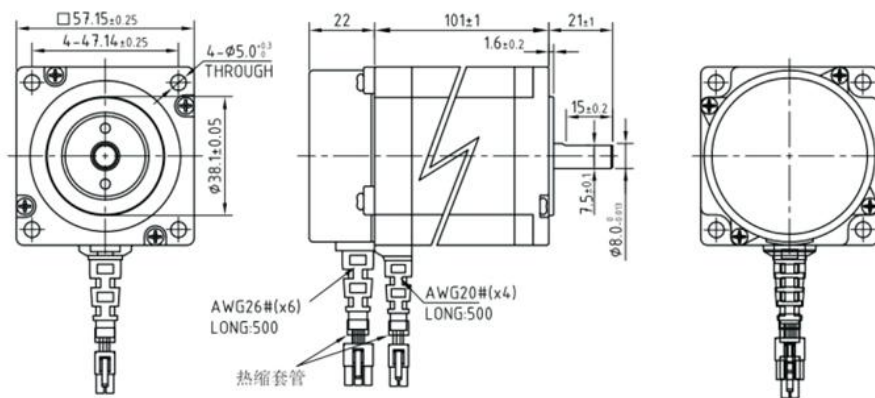
Item	Specifications
Step Angle Accuracy	±5%
Resistance Accuracy	±10% ( 20° )
Inductance Accuracy	±20% ( 1KHZ )
Temperature Rise	80°Cmax
Ambient Temperature	-20°~+50°
Insulation Resistance	100MΩ Min 500VDC
Dielectric Strength	500V AC 1minute
Allowable Radial Load	0.02mm Max .(450g load)
Allowable Thrust Load	0.08mm Max. (450g load)
Maximum Radial load	75N (From the flange surface 20mm)
Maximum Axial load	15N

### Technical Data---

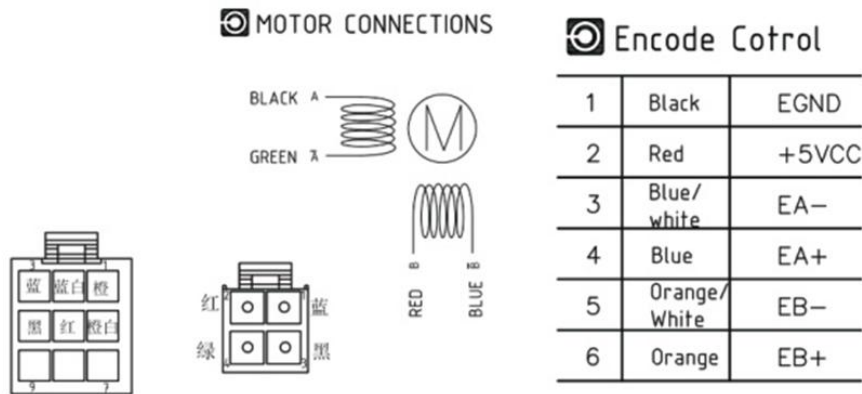
Models	Step Angle (°)	Motor Length (mm)	Holding Torque (N.M)	Phase Current (A)	Phase Resistance (Ω)	Phase Inductance (mH)	Rotor Inertia (g.cm <sup>2</sup> )	Leads	Motor Weight (Kg)
LC57H276	1.8	76±2	2	3.0	1.2	5.4	480	4	1.2
LC57H2100	1.8	100±2	3	4.0	0.9	3.2	720	4	1.7

### Dimension---

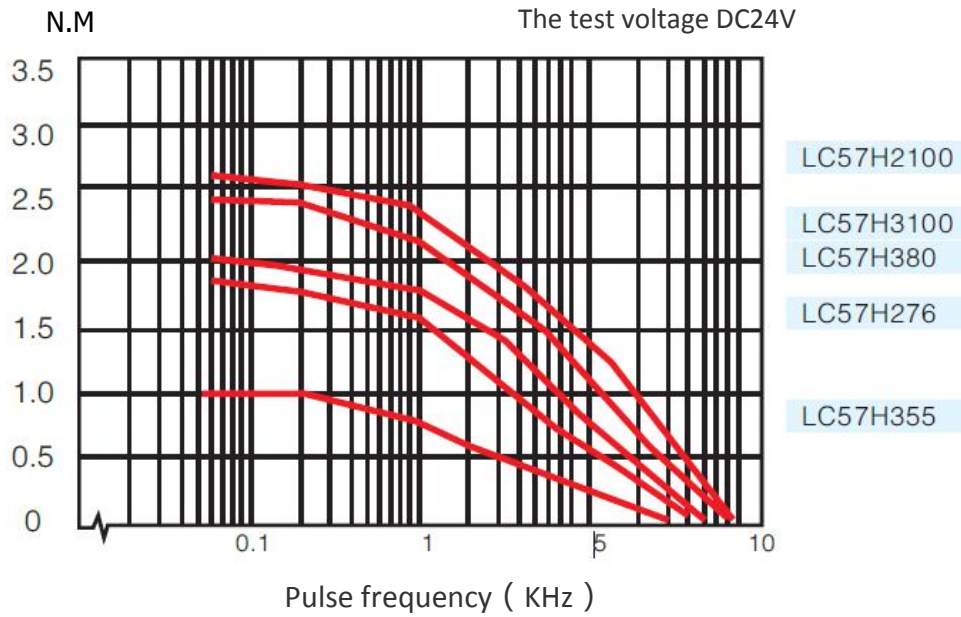
 DIMENSIONS unit=mm



### Motor Wiring Diagram---



## Torque-speed Curve---



### Matters Need Attention:

1. Not to be wrong when connect the motor to the driver.
2. Due to the difference of driving conditions, the motor may have obvious fever. Motor surface temperature allowing more than 85 °C during the operation.
3. Position the motor with the installing seam on the front end cover when installing, and pay attention to the tolerance matching, strictly the concentricity of the motor shaft and load.