

# LCDA86H Closed Loop Stepper Driver User Manual

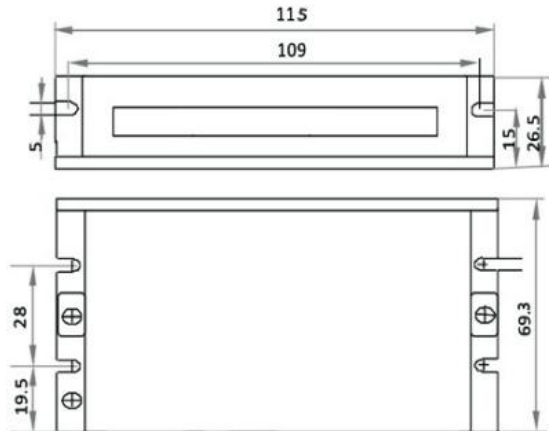
## 1.Function:

- Voltage input range: AC : 20V~70V DC : 30V~100V
- Max peak current: 8A
- Subdivision: 200~51200ppr
- Pulse mode: pulse+direction、CW/CCW
- Pulse response frequency: 0~200KHz
- Motor parameters can be turned automatically
- Overvoltage, overcurrent and tracking protecting functions

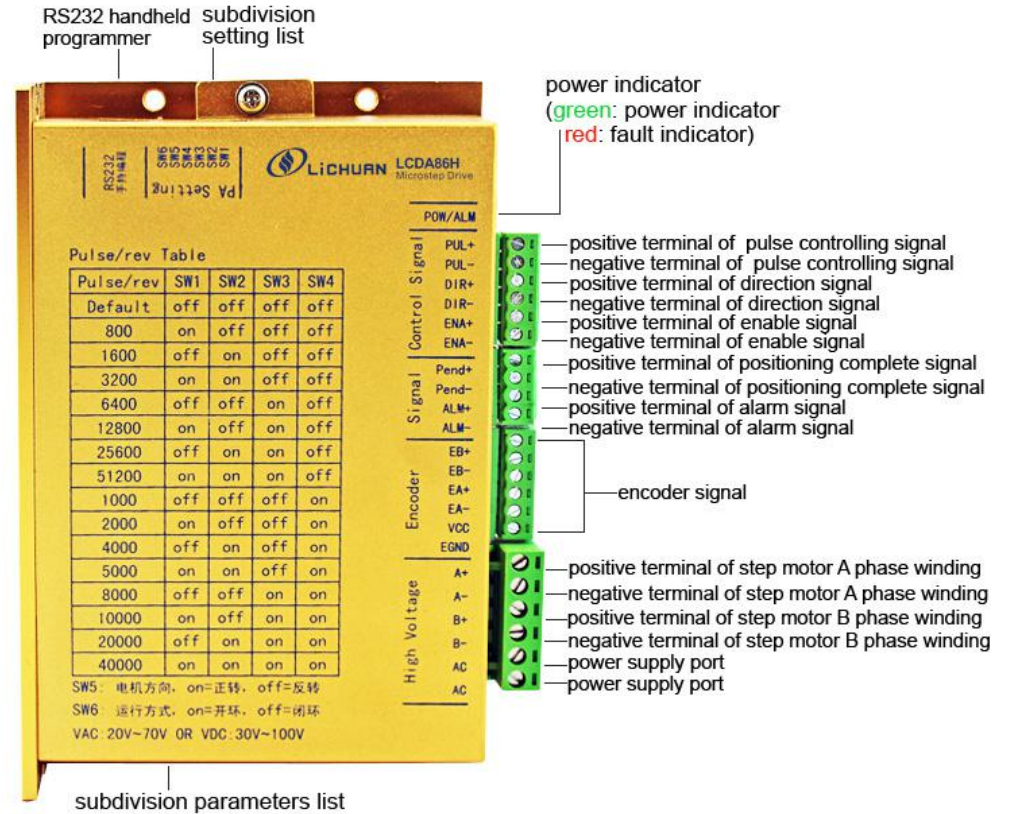
## 2.Using Environment and Parameters

- Save temperature: -20℃~80℃
- Using temperature: 0℃~55℃
- Using humidity: 90%RH (no condensation)
- Shake frequency: less than 0.5G (4.9m/s<sup>2</sup>)  
10Hz~60Hz (Not run continuously)

## 3.Install Size (mm)

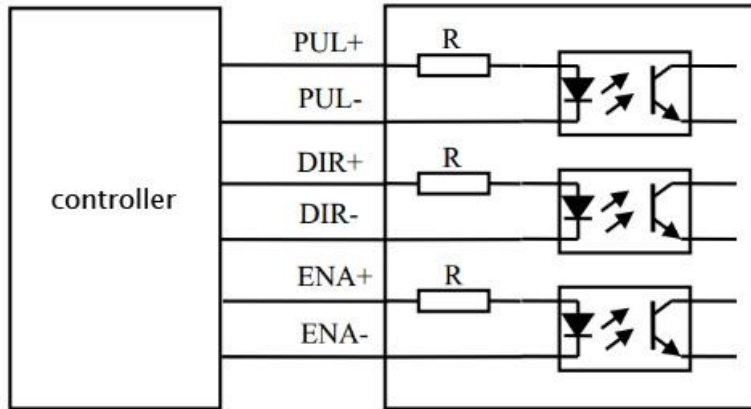


## 4.Driver Port Pin Instruction

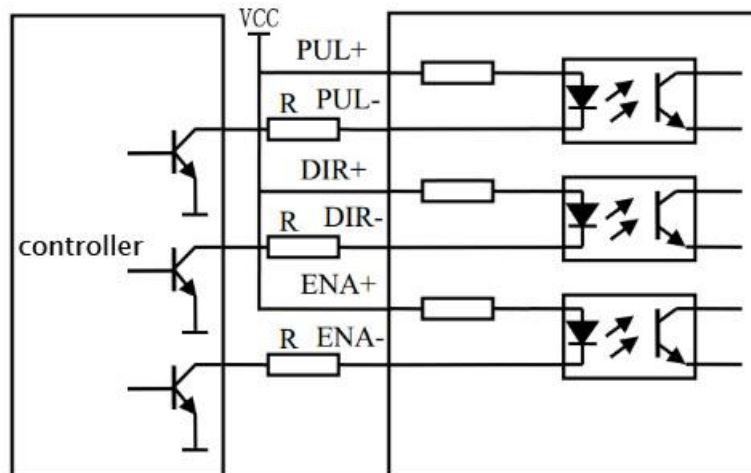


## 5. Control Port Wiring Method

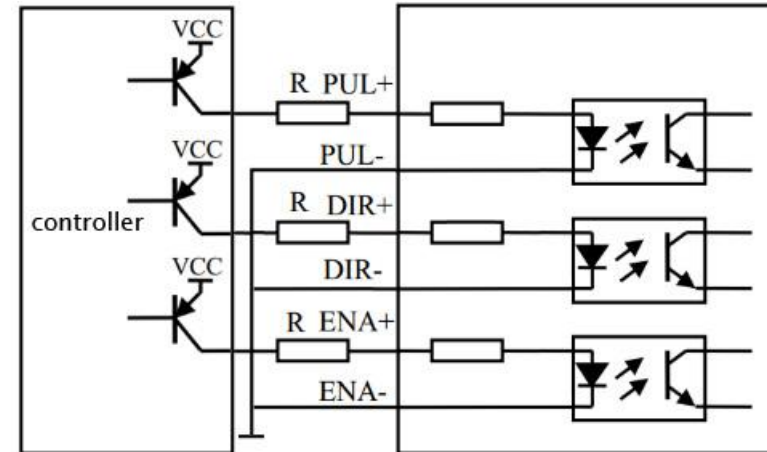
- differential signal input wiring



- common anode wiring



- common cathode wiring



Notice: when control signal voltage  $VCC = 24V$ ,

The current-limiting resistance  $R = 3K$  ;

when control signal voltage  $VCC = 5V$ ,

The current-limiting resistance  $R = 0K$  .

## 6.Dial Switch Setting

The current can be setting automatically of this series of drivers , so don't need to manually set current, don't need to set by hand . The corresponding functions of dial switches are as follows:

- SW1~SW4 : Driver subdivision setting (See the drive shell segment table)
- SW5 : motor direction setting
- SW6 : switch open loop to closed loop operating mode