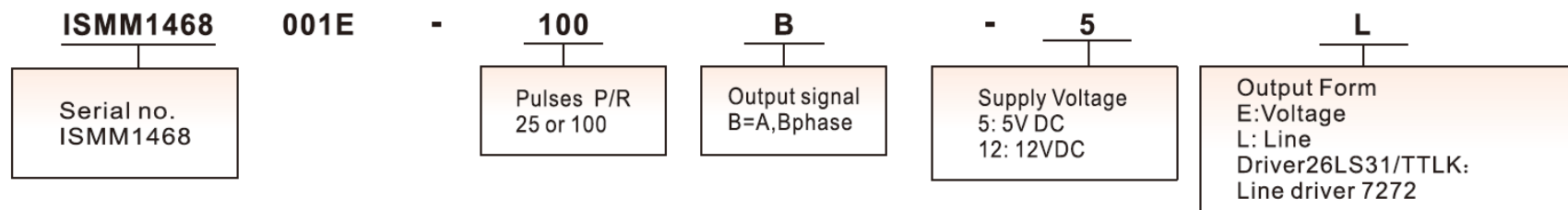


## Information

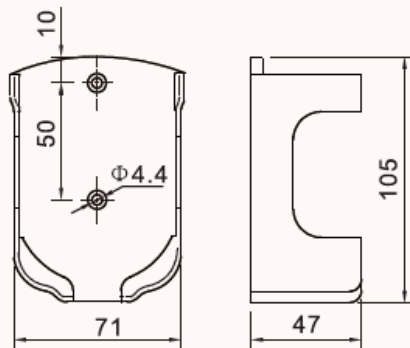
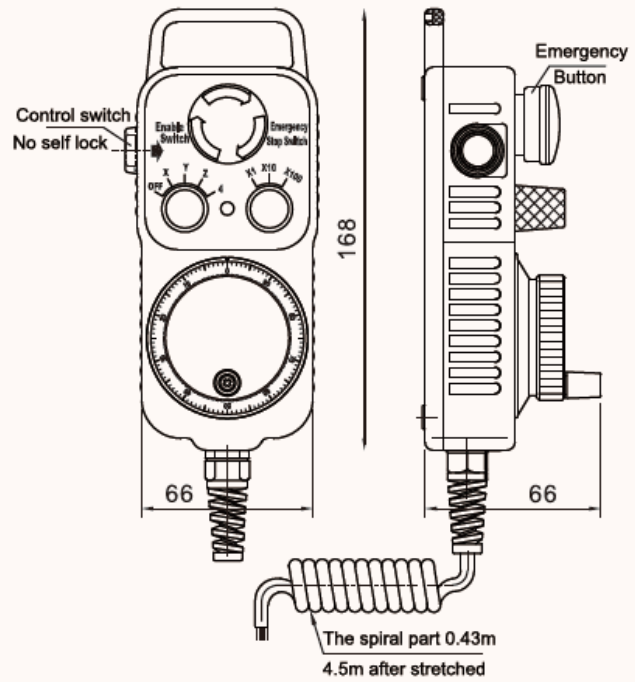


## Note

- 1, Please contact sales representative to confirm the correctness and availability of the part number
- 2, Line Drive is only available with 5V DC,12VDC option

## Technical Specifications

Electrical Specification				
Output circuit	Open collector	Voltage output	Push pull output	Line driver output
Power Vcc	5~30	5~30	5±0.25 5~30	5±0.2512V
Current	≤100mA	≤100mA	≤100mA	≤120mA
Load current	40mA	40mA	40mA	60mA
High-level output	Min Vcc*70%	Min Vcc-2.5V	Min Vcc-1.5V	Min 3.4V
Low-level output	Max 0.4V	Max 0.4V	Max 0.8V	Max 0.4V
Rise Time Tr	Max 1us	Max 1us	Max 1us	Max 200ns
Fall Time Tr	Max 1us	Max 1us	Max 1us	Max 200ns
Max Responding Frequency	20kHz	20kHz	20kHz	20kHz
Mechanical Specification				
Max speed(r/min)	Working Temperature	Storage Temperature	Protection Grade	Weight
600	-25~70°C	-25~85°C	IP50	750g



Dimensions(mm)